



FUTURA OHV E-72	66,60 mm	49,20 mm	172 cc
FUTURA OHV E-73	71,00 mm	49,20 mm	195 cc

FUTURA OHV E-72	E-72000	E-72005	E-72006		
FUTURA OHV E-73	E-73005	E-73006	E-73015	E-73016	E-73021
	E-73025				

ENGINE IDENTIFICATION ON METALLIC TAG

Tecumseh Europa S.p.A. Torino manufactured in 1996/97 a limited series of Futura OHV engines with a different identification system.

On the above mentioned engines, Model and Spec. No. (no serial No.) are stamped on a metallic tag fixed to a flange screw or to an intake pipe screw. For parts list, pls refer to the following reference table.

Model and Spec. No. on Tag	Referring Spec. No.
OVRM 55 20004D	E-72000
OVRM 55 20004D	E-72006
OVRM 65 22005A	E-73006
OVRM 65 22005A	E-73025
OVRM 65 22007A	E-73021
OVRM 65 22008A	E-73005
OVRM 65 22008C	E-73015
OVRM 65 22034D	E-73016
SBV-99020	E-72005

FUTURA OHV Models

Issued: 08/97

Revised: 08/00



FUTURA OHV E-72	Carburettor	Rc. Starter	EL. Starter	Crankshaft	Idle Rpm +/- 200	High Rpm +/- 100
E-72000	23088004	14210076		16070124	2000	3000
E-72005	23088004	14210076	16410003	16070124	2000	3000
E-72006	23088004	14210076	16410003	16070124	2000	3000
FUTURA OHV E-73	Carburettor	Rc. Starter	EL. Starter	Crankshaft	Idle Rpm +/- 200	High Rpm +/- 100
E-73005	23088007	14210076	16410002	16070126	2000	3000
E-73006	23088007	14210076	16410002	16070128	2000	3000
E-73015	23088007	14210076	16410002	16070126	2000	3000
E-73016	23088016	14210090	16410002	16070139	2000	3000
E-73021	23088007	14210076		16070124	2000	3600
E-73025	23088007	14210076	16410002	16070128	2000	3150

Tecumseh products made in Italy by

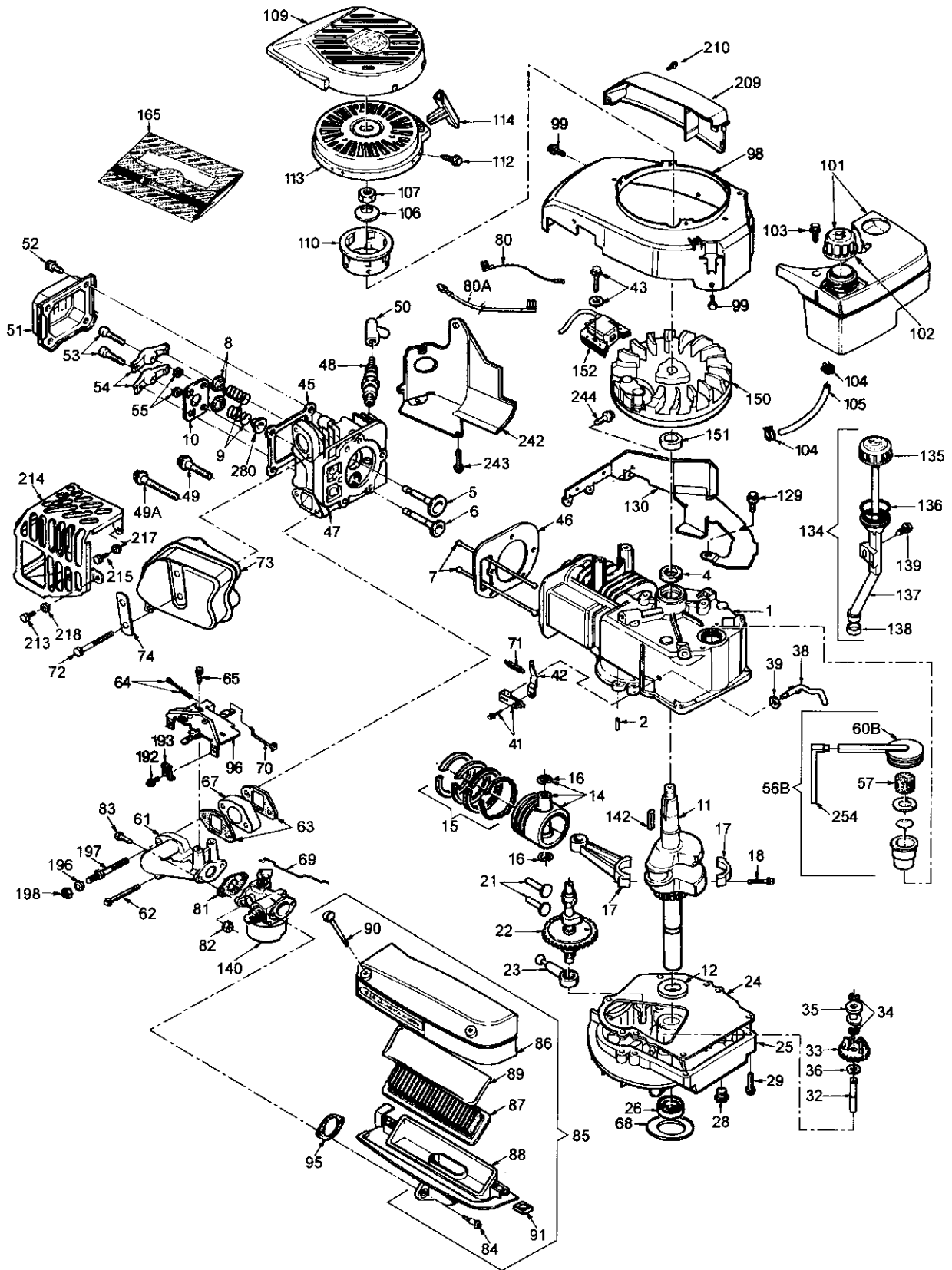
TECUMSEH EUROPA S.p.A.



FUTURA OHV

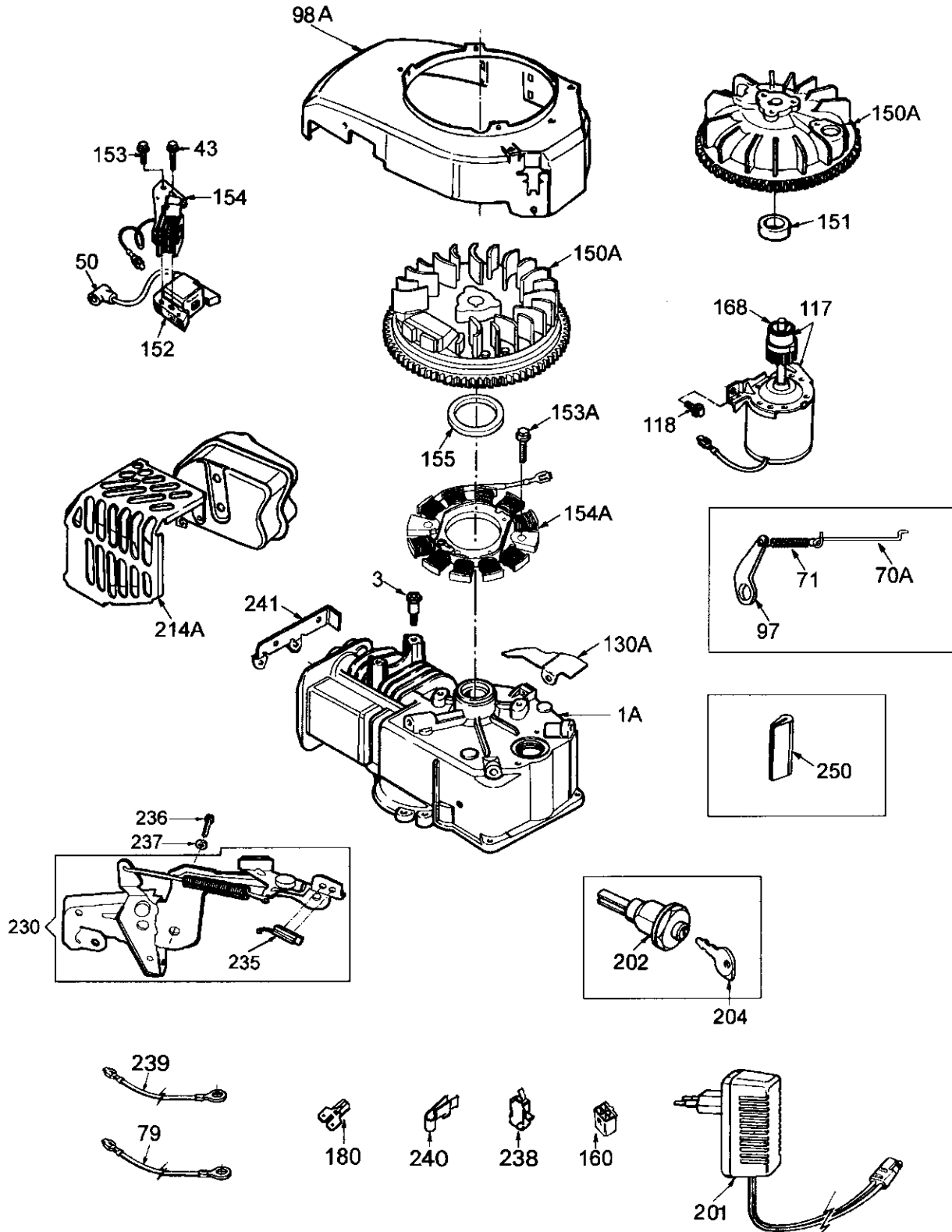
Issued: 08/97
Revised: 08/00

Division 3
Section A



Tecumseh products made in Italy by

TECUMSEH EUROPA S.p.A.



Tecumseh products made in Italy by

TECUMSEH EUROPA S.p.A.



FUTURA OHV Models

Issued: 08/97
Revised: 08/00

Division	3
Section	A

Ref.No.	Part No.	Part Name
1	16010079	Cylinder Assy. (Inc.-2,4)(71,00 mm Bore) E-73006 ,021,025
1	16010082	Cylinder Assy. (Inc.-2,4)(66.60 mm Bore) E-72005
1	16010087	Cylinder Assy. (Inc.-2,4)(66.60 mm Bore) E-72000 ,006
1A	16010078	Cylinder Assy. (Inc.-2,4)(71,00 mm Bore) E-73005 ,015
1A	16010095	Cylinder Assy. (Inc.-2,4)(71,00 mm Bore) E-73016
2	29410001	Dowel Pin
3	29310015	Stud 10-24 E-73005 ,015,016
4	29610017	* Oil Seal
5	16130001	Intake Valve (Inc.-9,10)(Std)
5	16130002	Intake Valve (Inc.-9,10)(OS. 0.80 mm)
6	16140009	Exhaust Valve (Inc.-9,10)(Std)
6	16140010	Exhaust Valve (Inc.-9,10)(OS. 0.80 mm)
7	22450005	Push Rod E-72000 ,006 E-73005 ,006,015,016,021,025
7	22450008	Push Rod E-72005
8	22470006	Lower Valve Spring Keeper E-72000 ,005,006 E-73005 ,006,016,021
9	27910003	Valve Spring
10	22450003	Push Rod Guide
11	16070124	Crankshaft E-72000 ,005,006 E-73021
11	16070126	Crankshaft E-73005 ,015
11	16070128	Crankshaft E-73006 ,025
11	16070139	Crankshaft E-73016
12	29520006	Thrust Washer E-73005 ,006,015,016,021,025
14	16090027	Piston & Pin Assy. (Inc.-16)(OS. 0.25 mm)
14	16090028	Piston & Pin Assy. (Inc.-16)(OS. 0.50 mm)
14	16090029	Piston & Pin Assy. (Inc.-16)(Std 66.60 mm Bore) E-72000 ,005,006
14	16090033	Piston & Pin Assy. (Inc.-16)(Std 71.00 mm Bore)
14	16090034	Piston & Pin Assy. (Inc.-16)(OS. 0.25 mm)
14	16090035	Piston & Pin Assy. (Inc.-16)(OS. 0.50 mm) E-73005 ,006,015,016,021,025
15	16100018	Ring Set (Std 66.60 mm Bore)
15	16100019	Ring Set (OS. 0.25 mm)
15	16100020	Ring Set (OS. 0.50 mm) E-72000 ,005,006
15	16100024	Ring Set (Std 71.00 mm Bore)
15	16100025	Ring Set (OS. 0.25 mm)
15	16100026	Ring Set (OS. 0.50 mm) E-73005 ,006,015,016,021,025
16	29450004	Piston Pin Retainer

Note: Always check Master Price List for replacement part numbers.

Tecumseh products made in Italy by

TECUMSEH EUROPA S.p.A.

FUTURA OHV - 5

3 A	Division
	Section

FUTURA OHV Models

Issued: 08/97
Revised: 08/00



Ref.No.	Part No.	Part Name
17	16110010	Connecting Rod (Inc.-18)
18	29190164	Screw 1/4-20 (L=23mm)
21	22440004	Valve Lifter
22	16120010	Camshaft (MCR) E-72000 ,006 E-73005 ,006,015,021,025
22	16120020	Camshaft (MCR) E-73016
22	22410069	Camshaft (RCR) E-72005
23	16160004	Oil Pump Assy
24	29630001	* Flange Assy. Gasket E-72000 ,005,006
24	29630164	* Flange Gasket
25	16030008	Flange Assy. (Inc.-26,28,32) E-73005 ,006,015,016,021,025
25	16030013	Flange Assy. (Inc.-26,28,32) E-72000 ,005,006
26	29610018	* Oil Seal
28	29320057	Oil Drain Plug
29	29190075	Screw 1/4-20 (L=30mm) E-72000 ,006 E-73016
29	29190315	Screw 1/4-20 (L=32mm) E-72005 E-73005 ,006,015,016,021,025
32	22720001	Governor Shaft
33	16170001	Governor Gear
34	29450005	Governor Gear Retainer
35	22740001	Governor Spool
36	29510015	Washer
38	22750009	Governor Rod
39	29510029	Washer E-72000 ,005,006 E-73005 ,015,016,021
41	16500009	Governor Lever Clamp E-73005 ,006,015,016,021,025
41	16500010	Governor Lever Clamp E-72000 ,005,006
42	27240108	Governor Lever E-72005
42	27240143	Governor Lever E-72000 ,006
42	27240151	Governor Lever E-73005 ,006,015,016,021,025
43	29190168	Screw 10-24 (L=24mm)
45	29630110	* Rocker Arm Cover Gasket
46	29620028	* Cylinder Head Gasket E-73005 ,006,015,016,021,025
46	29620029	* Cylinder Head Gasket E-72000 ,005,006
47	16050003	Cylinder Head (Inc.-5,6,8,9,10,45,53,54,55) E-73005 ,006,015,016,021,025
47	16050004	Cylinder Head (Inc.-5,6,8,9,10,45,53,54,55) E-72000 ,005,006
48	29010014	Spark Plug E-73016

Note: Always check Master Price List for replacement part numbers.

Tecumseh products made in Italy by

TECUMSEH EUROPA S.p.A.



FUTURA OHV Models

Issued: 08/97
Revised: 08/00

Division	3
Section	A

Ref.No.	Part No.	Part Name
48	29010023	Spark Plug E-72000 ,005,006 E-73005 ,006,015,021,025
49	29180072	Screw 5/16-18 (L=39mm)
49A	29180083	Screw 5/16-18 (L=66mm)
50	15950001	Spark Plug Cover
51	27520018	Rocker Arm Cover
52	29190192	Screw 1/4-20 (L=12mm)
53	29180071	Screw 1/4-28 (L=30mm)
54	22450001	Rocker Arm
55	29210038	Nut 1/4-28
56B	16190007	Breather Assy. (Inc.-57,60B)
57	27140005	Breather Element
60B	16670001	Tube & Cover Breather
61	21510018	Intake Pipe
62	29190152	Screw 1/4-20 (L=70mm) E-72000 ,005,006 E-73005 ,006,015,021,025
62	29190318	Screw 1/4-20 (L=70mm) E-73016
63	29630159 *	Intake Pipe Gasket
64	16630023	Control Screws Set
65	29190186	Screw 10-24 (L=14mm) E-72000 ,005,006 E-73006 ,016,021,025
67	27420038	Intake Pipe Spacer
68	29590022	Oil Seal Cover E-73021 ,025
69	27250040	Throttle Link
70	27250039	Governor Link E-72000 ,005,006 E-73006 ,016,021,025
70A	27250003	Governor Spring Link E-73005 ,015
71	27920123	Governor Spring E-72005
71	27920161	Governor Spring E-72000 ,006 E-73005 ,006,015,016,021,025
72	29190152	Screw 1/4-20 (L=70mm)
73	21520147	Muffler E-72000 ,005,006
73	21520152	Muffler E-73005 ,006,015,016,021,025
74	27530036	Lock Plate E-73016
74	27530038	Lock Plate E-72000 ,005,006 E-73005 ,006,015,021,025
79	14940009	Ground Wire (To Battery) E-73005 ,006,015,016,025
79	14940017	Ground Wire (To Battery) E-72005 ,006
80	14940012	Ground Wire E-72005

Note: Always check Master Price List for replacement part numbers.

Tecumseh products made in Italy by

TECUMSEH EUROPA S.p.A.

3	Division
A	Section

FUTURA OHV Models



Issued: 08/97
Revised: 08/00

Ref.No.	Part No.	Part Name
80	16380001	Ground Wire E-72000 ,006 E-73005 ,006,015,016,021,025
80A	14940066	Ground Wire (to connector) E-73016
81	29630013	* Carburettor Gasket
82	29210008	Nut 1/4-28 E-72000 ,006 E-73005 ,006,015,016,021,025
82	29210013	Nut 1/4-20
83	29190171	Screw 1/4-20 (L=24mm) E-72005
83	29190328	Screw 1/4-28 (L=25mm) E-72000 ,006 E-73005 ,006,015,016,021,025
84	29190208	Screw 10-32 (L=16mm)
85	16290025	Air Filter Assy. (Inc.-86,87,88,89,90,91)
86	23430085	Air Filter Cover
87	23410057	Air Cleaner Filter (Paper)
88	23420066	Air Filter Body
89	23410058	Air Cleaner Filter
90	29190241	Screw M5 (L=62 mm)
91	29220007	Nut M5
95	29630086	* Air Filter Gasket
96	17410045	Remote Speed Control (Inc.-64) E-73006 ,016,021,025
96	17410086	Remote Speed Control (Inc.-64) E-72000 ,005,006
97	27240150	Fixed Speed Lever E-73005 ,015
98	24320228	Blower Housing E-72000 E-73021
98A	14320126	Blower Housing E-73005 ,015,016
98A	24320234	Blower Housing E-72005 ,006 E-73006 ,025
99	29190038	Screw 1/4-20 (L=12mm) E-72000 ,005,006 E-73006 ,021,025
99	29190192	Screw 1/4-20 (L=12mm) E-73005 ,015
99	29190310	Screw 1/4-20 (L=10mm) E-73016 ,025
101	16210035	Fuel Tank (Inc.-102)
102	13350003	Fuel Filler Cap
103	29190090	Screw 10-32 (L=14mm)
104	29490031	Fuel Line Clamp
105	16270001	Fuel Line (Available only in 5m coils)
106	29510050	Belleville Washer
107	29210020	Nut 1/2-20
109	24350101	Starter Grill
110	24220015	Starter Cup
112	29190023	Screw 10-32 (L=21mm) E-73006 ,025

Note: Always check Master Price List for replacement part numbers.

Tecumseh products made in Italy by

TECUMSEH EUROPA S.p.A.



FUTURA OHV Models

Issued: 08/97
Revised: 08/00

Division	3
Section	A

Ref.No.	Part No.	Part Name
112	29190180	Screw 8-32 (L=8mm) E-72000 ,005,006 E-73005 ,015,016,021
113	14210076	Rewind Starter (Inc.-114) E-72000 ,005,006 E-73005 ,006,015,021,025
113	14210090	Rewind Starter (Inc.-114) E-73016
114	24230004	Starter Handle
117	16410002	Electric Starter Motor (Inc.-168) E-73005 ,006,015,016,025
117	16410003	Electric Starter Motor (Inc.-168) E-72005 ,006
118	29190038	Screw 1/4-20 (L=12mm) E-73005 ,006,015,016,025
118	29190167	Screw 1/4-20 (L=13mm) E-72005
118	29190310	Screw 1/4-20 (L=10mm) E-72006
129	29190196	Screw 1/4-20 (L=9mm) E-72000 ,005,006 E-73006 ,021,025
130	14330026	Protection Bracket E-72000 E-73021
130	14330031	Protection Bracket E-72005 ,006 E-73006 ,025
130A	24330134	Protection Bracket E-73005 ,015,016
134	16480017	Oil Filler Assy. (Inc.-135,136,137,138,139)
135	19320016	Oil Dipstick
136	29610037 *	Oil Dipstick Gasket
137	29140028	Oil Filler Tube
138	29610024 *	O'Ring E-72000 ,005,006
138	29610032 *	O'Ring E-73005 ,006,015,016,021,025
139	29190091	Screw 10-32 (L=13mm)
140	23088004	Carburettor E-72000 ,005,006
140	23088007	Carburettor E-73005 ,006,021,025
140	23088016	Carburettor E-73015 ,016
142	29410012	Flywheel Key E-72000 ,005,006
142	29410018	Flywheel Key E-73005 ,006,015,016,021,025
150	14110023	Flywheel (Heavy) E-73021
150	24110036	Flywheel (Std) E-72000
150A	24110037	Flywheel (w/ring gear) E-72005 ,006
150A	24110047	Flywheel (Heavy) E-73005 ,015,016

Note: Always check Master Price List for replacement part numbers.

Tecumseh products made in Italy by
TECUMSEH EUROPA S.p.A.

3	Division
A	Section

FUTURA OHV Models

Issued: 08/97
Revised: 08/00



Ref.No.	Part No.	Part Name
150B	14110024	Flywheel (Heavy) E-73006 ,025
151	29490055	Flywheel Key Spacer
152	14160034	Solid State (Coil & Lamination)(Inc.-50) E-72005
152	14160070	Solid State (Coil & Lamination)(Inc.-50) E-72000 ,006 E-73005 ,006,015,016,021,025
153	29190051	Screw 1/4-20 (L=15mm) E-73005
153	29190166	Screw 8-32 (L=11mm) E-72005 ,006 E-73006 ,025
153A	29190051	Screw 1/4-20 (L=15mm) E-73015 ,016
154	14450001	Alternator Coil E-72005 ,006 E-73006 ,025
154A	14450010	Alternator Coil
155	27420040	Alternator Spacer E-73005 ,015,016
160	24450007	Connector E-72005 ,006 E-73005 ,006,015,016,025
165	16610032	Gasket Set
168	16630037	Kit Starter Pinion E-72005 ,006 E-73005 ,006,015,016,025
180	29080065	Double Terminal E-73016
192	29190174	Screw 10-32 (L=6mm)
193	29490004	Conduit Clip E-72000 ,005,006 E-73006 ,021,025
196	29530007	Washer E-72000 ,005,006 E-73005 ,006,015,021,025
197	29310016	Stud 1/4-20
198	29210013	Nut 1/4-20
201	24450010	Battery Charger
202	16360002	Switch Assy .
204	24450011	Ignition Key E-72005 ,006 E-73005 ,006,015,016,025
209	24330120	Engine Shield
210	29190090	Screw 10-32 (L=14mm)
213	29190174	Screw 10-32 (L=6mm) E-73005 ,015,016,021
214	24330126	Muffler Guard E-72000 ,005,006 E-73021 ,025
214A	14330034	Muffler Guard E-73005 ,015,016
215	29190221	Self-threading Screw E-72000 ,005,006 E-73005 ,015,016,021,025

Note: Always check Master Price List for replacement part numbers.

Tecumseh products made in Italy by

TECUMSEH EUROPA S.p.A.



FUTURA OHV Models

Issued: 08/97
Revised: 08/00

Division	3
Section	A

Ref.No.	Part No.	Part Name
217	29540012	Washer E-73005 ,015
218	29530022	Washer E-73005 ,015,016
230	14500009	Brake Assy. (Inc.-235) E-72000
230	14500010	Brake Assy. (Inc.-235,238) E-72005 ,006
235	19080003	Terminal Assy. E-72000 ,005,006
236	29190310	Screw 1/4-20 (L=10mm) E-72000
238	24450014	Switch
239	14940032	Starter Motor Wire
240	29490065	Spring Clip E-72005 ,006
241	24330146	Bracket E-73005 ,015,016
242	14330035	Protection Bracket
243	29190186	Screw 10-24 (L=14mm) E-73005 ,006,015,016,021,025
244	29190329	Screw 1/4-24 (L=12mm) E-73006 ,021,025
250	29630162	Rubber Buffer
254	21670011	Breather Tube Elbow E-72005 E-73006 ,025
280	19610001	Intake Valve Seal E-73016

Note: Always check Master Price List for replacement part numbers.

Tecumseh products made in Italy by
TECUMSEH EUROPA S.p.A.

3

Division

FUTURA OHV

A

Section

Issued: 08/97
Revised: 08/00



Tecumseh products made in Italy by

TECUMSEH EUROPA S.p.A.